

PVC Immersion Assembly *DipFit W CYA 611*

Immersion assembly for oxygen and turbidity sensors and compact pH/ORP electrode CPF 81



CYA 611



CYA 611 with suspension
bracket, spray cleaning
set and sensor (e.g. COS 4)

Areas of application

The immersion assembly CYA 611 is used for simple installation of sensors equipped with 3/4" NPT or G 1 threads. It is designed for use in open channels, basins and tanks.

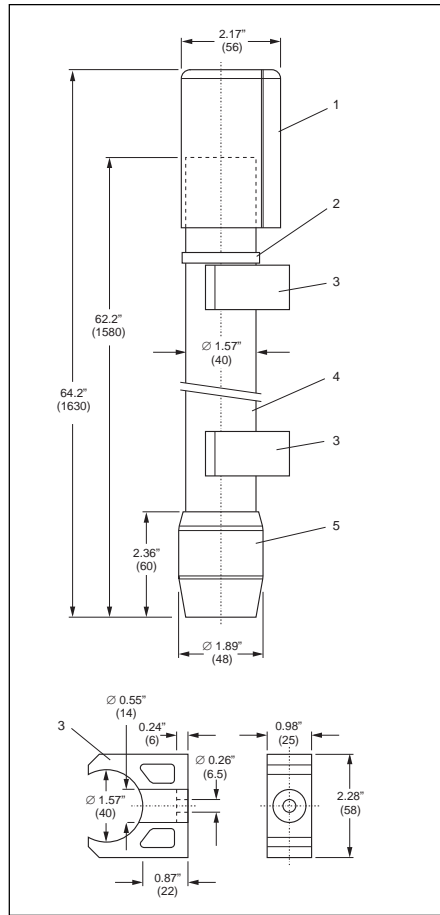
Typical applications:

- Sewage treatment plant inflow and discharge monitoring
- Sewer monitoring
- Oxygen / solids content measurement in activated sludge basins
- ORP measurement in denitrification systems
- Ph measurement for precipitating agent dosing
- Service water monitoring
- River water monitoring

Benefits at a glance

- Simple and economical wall installation with pipe clamps
- Individual adaptation of assembly length is possible
- Immersion depth adjustable by user via worm drive hose clips
- Simple sensor installation via 3/4" NPT or G 1 threads
- 3 mounting types are possible; wall installation, suspension bracket, or pendulum frame
- Assembly is also available as an economically priced individual parts set
- Spray cleaning function can be retrofitted without modification of the assembly

CYA 611 versions



CYA 611 compents and dimensions

- 1 Protection cap
- 2 Worm drive hose clip
- 3 Pipe clamps
- 4 PVC pipe (customer supplied)
- 5 Threaded coupling

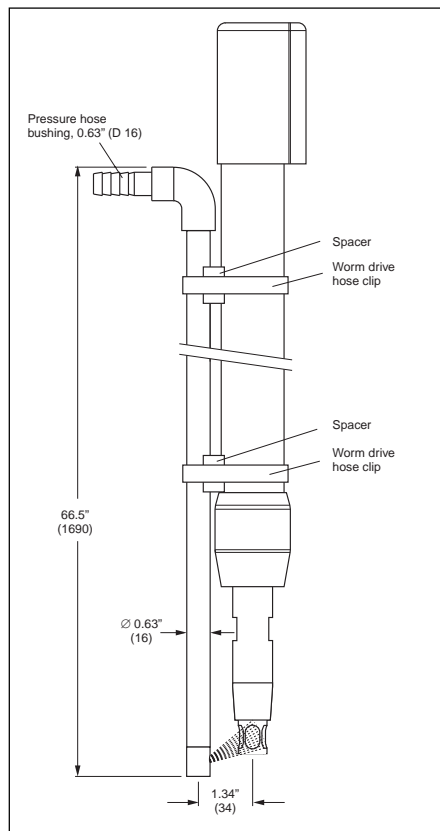
The standard version, CYA 611-0, is completely assembled, and two pipe clamps and one worm drive hose clip for wall mounting are supplied.

The CYA 611-1 consists of:

- 1 Protection cap
- 2 One worm drive hose clip
- 3 Two pipe clamps
- 4 PVC pipe (supplied by customer)
- 5 One threaded coupling

The required PVC pipe measuring pipe, 1.57" (DN 40) x 0.12" (3 mm) thickness is provided by the customer. Recommended PVC adhesives are: Tangit (manufactured by Henkel) or PeViCol (manufactured by ASV Stubbe)

Accessories



Left:

Spray cleaning set for CYA 611

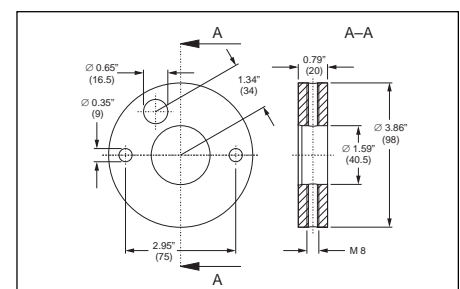
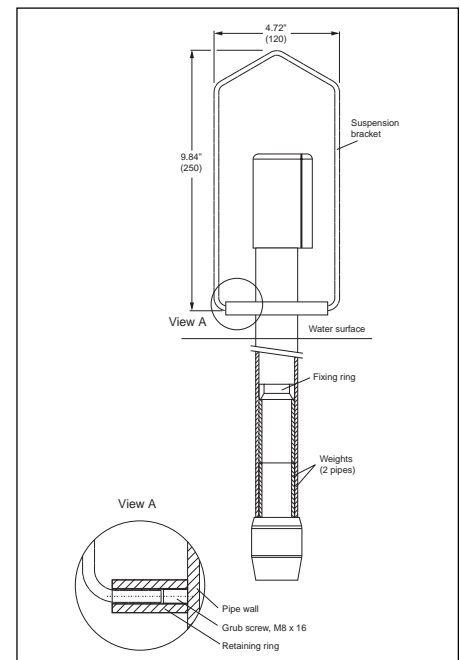
- For all sensors
- Can be retrofitted
- Modification of assembly not required
- Simple installation with worm drive hose clips made of 316 SS

Top right:

Attachment with suspension bracket

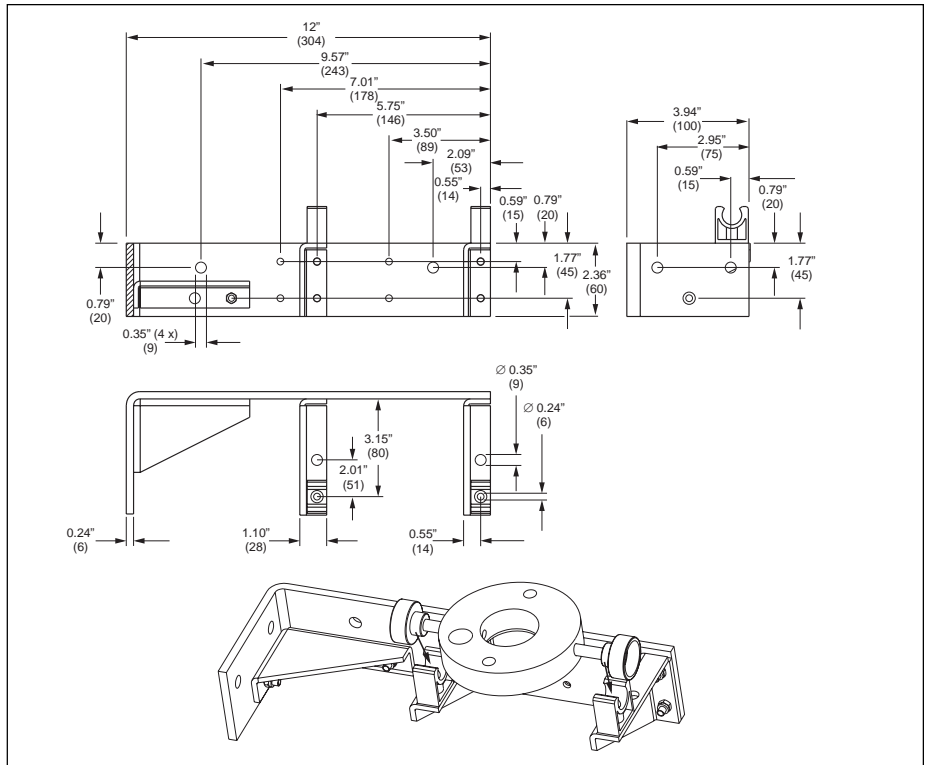
Bottom right:

Dimensions of retaining ring for attachment of suspension bracket



Accessories (con't.)

- Pendulum frame**
- For mounting on basin rim or channel wall
 - Made of 316 SS



- Mounting set for CYA 611 for installation with suspension bracket and pendulum frame
Order No. 50085874
- Spray cleaning set for CYA 611 for installation (or retrofitting) on CYA 611
Order No. 50086336
- Pendulum frame for pendulum suspension of CPA 111, CLA 111, CPA 510 or CYA 611
Order No. 50080196
- Universal suspension assembly holder CYH-101-A, see Technical Information TI 092C/07/en
- Cleaning injector CYR 10, see Technical Information TI 046C/07/en

Technical data

Manufacturer	Endress+Hauser
Designation	DipFit W CYA 611

Operating conditions

Operating pressure	Nonpressurized systems
Ambient temperature	32° to 140°F (0 to 60°C)

Design

Total length	64.2" (1630 mm)
Pipe diameter / wall thickness	According to DIN 8062, 1.57" / 0.12" (40 / 3 mm)
Maximum immersion depth	Approximately 55" (1400 mm)
Cable entry	0.39" diameter
Weight	Approximately 2.2 lbs (1 kg)
Mounting thread	Version B, 3/4" NPT; Version A, G 1

Materials

Immersion tube	PVC-U
Protection cap	PA
Wall attachment	PE
Worm drive hose clip	316 SS

Mounting set for CYA 611

Additional weight (2 pipes)	Approximately 0.7 lbs (0.35 kg) each
Suspension bracket	316Ti SS
Additional weight	304 SS

Ordering information

DipFit W CYA 611PVC immersion assembly

CYA 611 - ¹ ²

- 1 Version
 - 0 Completely assembled with pipe
 - 1 Mounting kit, 1.6" x 0.1" (40 x 3 mm), PVC pipe provided by customer
- 2 Sensor connection
 - A G 1" thread (e.g. COS, CUS sensors)
 - B 3/4" NPT thread (e.g. for CPF 81)
 - C G 3/4" thread (e.g. CLS 50)
 - D 1/2" NPT thread

For application and selection assistance,
in the U.S. call 888-ENDRESS

For total support of your installed base, 24 hours
a day, in the U.S. call 800-642-8737

Visit us on our web site, www.us.endress.com

United States

Endress+Hauser, Inc.
2350 Endress Place
Greenwood, IN 46143
Phone: (317) 535-7138
888-ENDRESS
FAX: (317) 535-8498

Canada

Endress+Hauser
Canada Ltd.
1440 Graham's Lane
Unit 1, Burlington
ON, L7S 1W3
Phone: (905) 681-9292
800-668-3199
FAX: (905) 681-9444

Mexico

Endress+Hauser
Paseo del Pedregal No. 610
Col. Jardines del Pedregal
01900, Mexico D.F.
Mexico
Phone: (525) 568-2405
FAX: (525) 568-7459

Endress+Hauser
The Power of Know How

